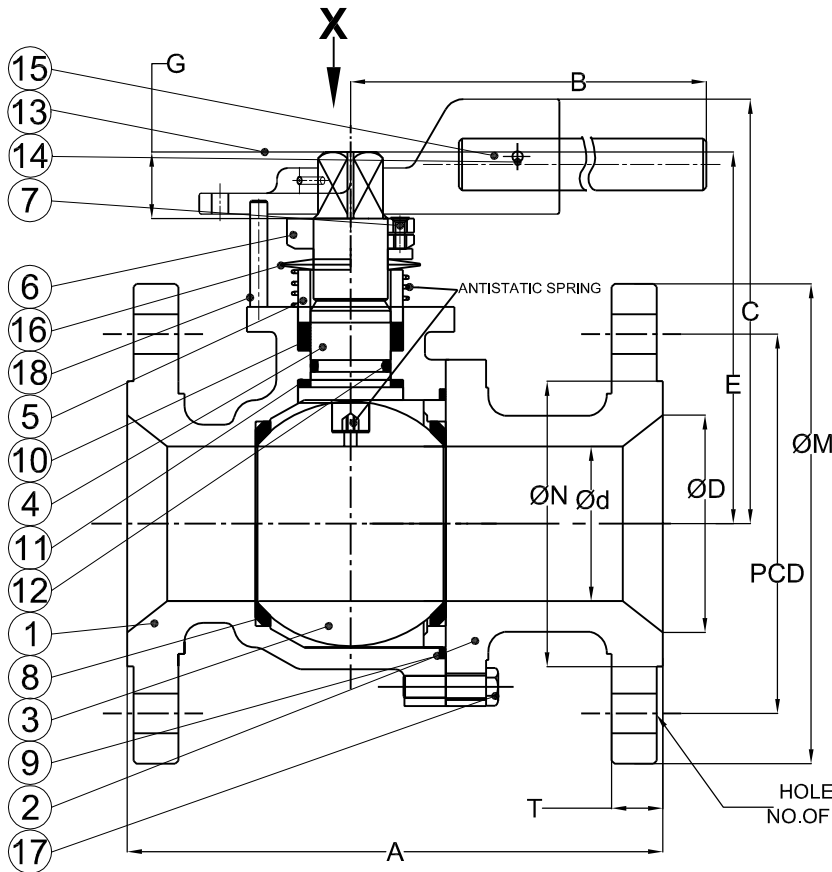


# METFLOW CONTROLS PRIVATE LIMITED.



BALL VALVE TWO PIECE, REDUCED BORE

DATE	GA / SALES DRG. NO.	REV. NO
5 JUN. 2007	BV / GA / 06	00



PART NO.	PART NAME	MATERIAL OF CONSTRUCTION		
1	BODY	WCB	CF8	CF8M
2	END PIECE	WCB	CF8	CF8M
3	BALL	410	304	316
4	STEM	410	304	316
5	GLAND	410	304	316
6	GLAND NUT	304		
7	COUNTER SUNK SCREW	304		
8	SEAT	** PTFE/CFT/GFT		
9	BODY SEAL	PTFE		
10	STEM SEAL	GRAFOIL		
11	STEM WASHER	25% GFT		
12	'O' RING	VITON		
13	ADAPTER	STEEL		
14	CAP SCREW			
15	LEVER	STEEL		
16	DISC SPRING	SPRING STEEL		
17	HEX SCREW/STUD & NUT	* ASTM A193 Gr.B8M		
18	STOPPER PIN	410/304		

**NOTES:**

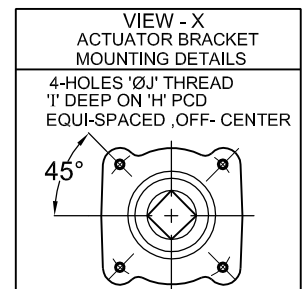
- 1) APPLICABLE ONLY FOR SIZES 65 TO 200MM
- 2) LEVER WILL HAVE RED COLOURED PVC SLEEVE.
- 3) RAISED FACE FLANGED ENDS AS PER ASME B 16.5.
- 4) \* ASTM A 193 Gr.B7
- 5) FIRE SAFE TESTED AS PER API: 607 4th EDITION.
- 6) \*\* PTFE FOR NON FIRE SAFE ONLY.
- 7) SOLID BALL AVAILABLE ON REQUEST
- 8) DIM. 'A' IS CONFORMS TO ASME B16.510/EN-558

DESIGN STD : BS EN ISO 17292, TESTING STD : EN 12266 - 1

CLASS	150												ACTUATOR BRACKET MOUNTING DETAILS					
SIZE	A	B	C	ØD	Ød	WEIGHT Kgs	M	N	T	PCD	HOLE DIA	NO.OF HOLES	E	SQ. F	G	H	I	ØJ
200	292	775	265	203	144	73.0	345	270	29	298.5	22.22	8	260	30	30	125	12	M12
250	330			254	187		405	312	31.5	362	25.4	12		37	30	140	22	M16
300	356			305	228		485	382	31.5	362	25.4	12		46	38	165	12	M20

ALL DIMENSIONS ARE IN MM

MATL.CODE	WCB	CA15	CF8	CF8M	WCB	410	304	316
MATL.SPECN.	ASTM A216	ASTM A217	ASTM A351	ASTM A351	ASTM A216	ASTM A276	ASTM A276	ASTM A276



TEST PRESSURES , Bar			
CLASS	150	300	
HYD	SHELL	30	76
	SEAT	22	55
AIR	SEAT	6.9	

CUSTOMER: \_\_\_\_\_

ORDER NO: \_\_\_\_\_

JOB / PROJECT: \_\_\_\_\_

PREPARED BY: \_\_\_\_\_

CHECKED BY: \_\_\_\_\_

APPROVED BY: \_\_\_\_\_